

Contents	page:
About this manual, Safety instructions, Disposal	1
Dimensional drawing, Installation examples, Shipping unit	2
Installation	3
Filter change, Additional parts and replacement parts	4

About this manual

- Read this manual carefully and completely prior to installation! Always observe the general safety instructions and the safety symbols with information in the text.
- Hand out this manual to the user (tenants, proprietors, property management etc.) after completing the installation.

Symbols in this manual:



This symbol warns you against risks of injury



This symbol warns you against risks of injury from electricity

Safety instructions



Caution! Any installation work on the ventilation unit may only be carried out with the mains voltage disconnected at all poles! The ventilation unit is insulated according to protection class II - a protective connection is not required!



Attention! The electric connection may only be made by authorised qualified personnel and according to the applicable version of VDE 0100!



Attention! This unit must not be operated (filter change/cleaning) by children or persons who are not capable of operating it safely due to their physical, sensory or mental abilities or their lack of experience or knowledge. Children should be supervised to ensure that they do not play with the unit.

Disposal

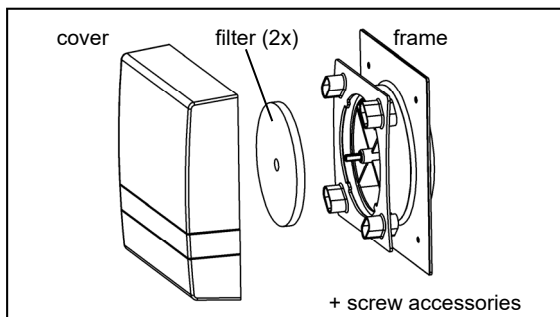


Dispose of the packaging correctly sorted. If you wish to dispose of the device, please follow the current regulations. Information is available from your local authority.

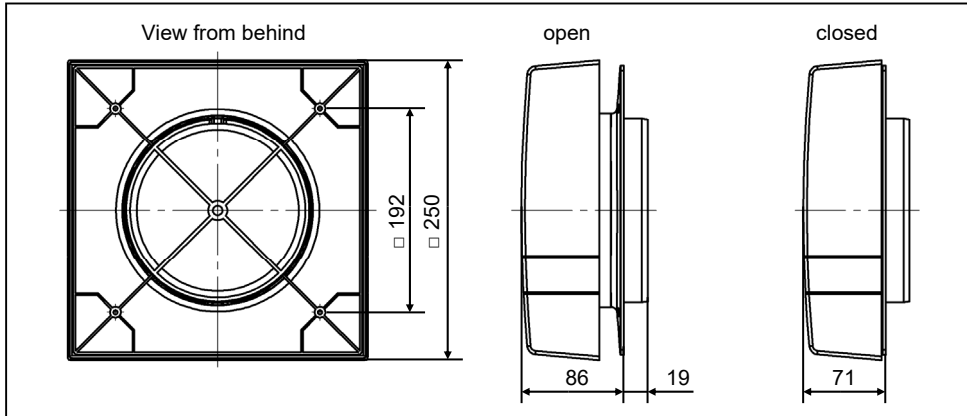
Shipping unit

Check the delivery for completeness and mint condition!

Note: The delivery includes one filter each type, 9/FIB-2RL (coarser meshed filter for ALD) and 9/FIB-3RL (finer meshed filter for ALD, e² and RA 15-60), which can be optionally used depending on the unit type.



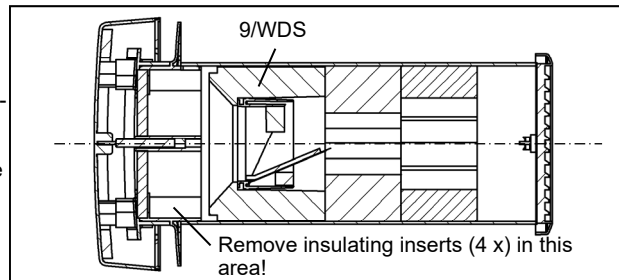
Dimensional drawing



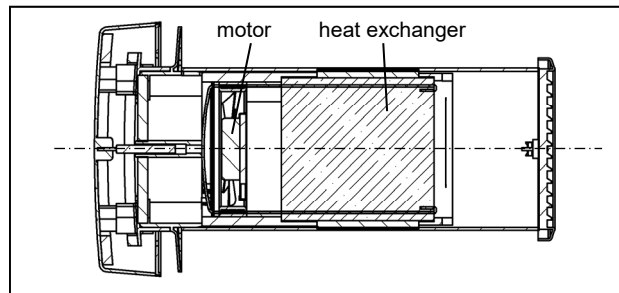
Installation examples

Sound insulation screen with ALD

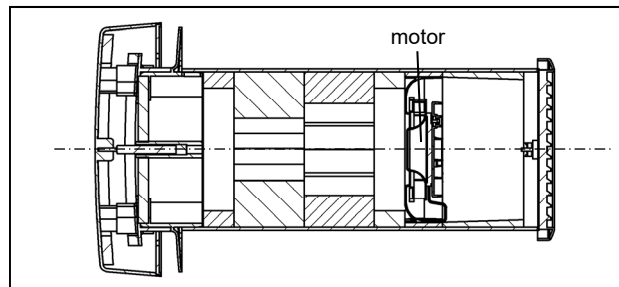
Note: When replacing the inner screen 9/IB-18, the wind pressure relief 9/WDS with polystyrene sheathing must be inserted!
Also remove the four insulating inserts behind the filter of the frame in order to achieve the planned volume flow of the ALD!



Sound insulation screen with e²




Sound insulation screen with RA 15-60




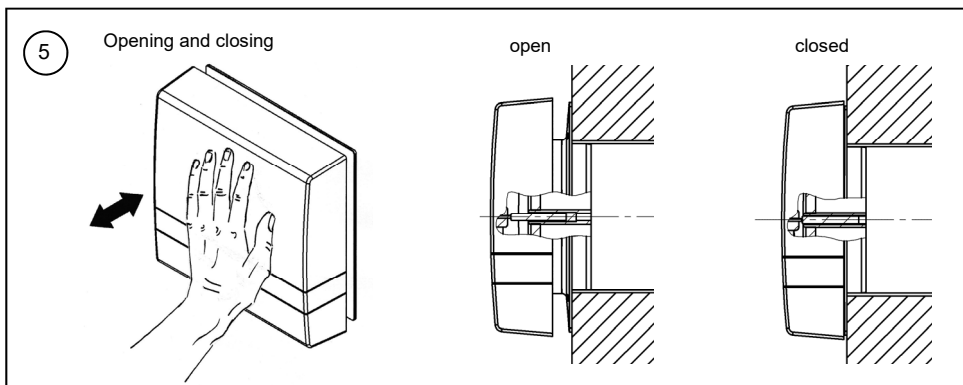
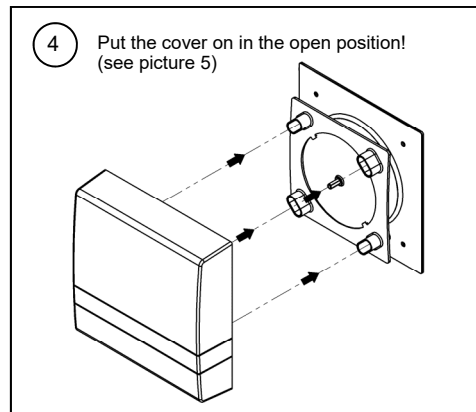
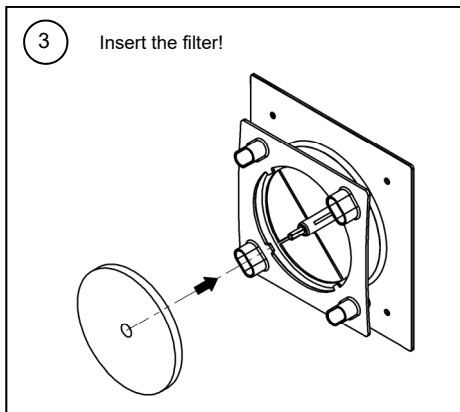
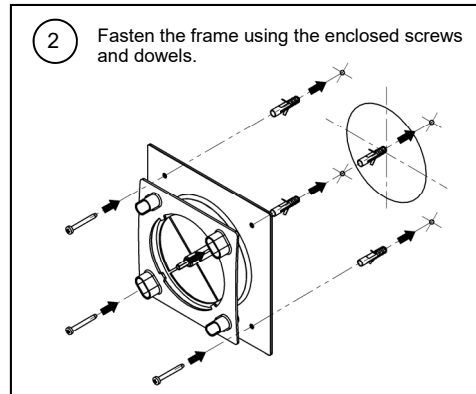
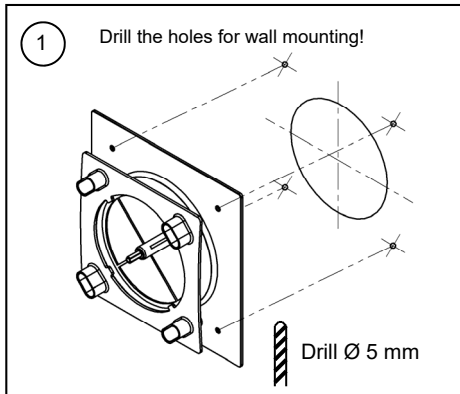
Further applications on request!

Installation

Safety instructions (to be observed when using the sound insulation hood with e², RA 15-60 and other electrically operated LUNOS ventilation units)

 Caution! Any installation work on the time delay (mains connection and setting of the miniature switches) may only be carried out with the mains voltage disconnected!

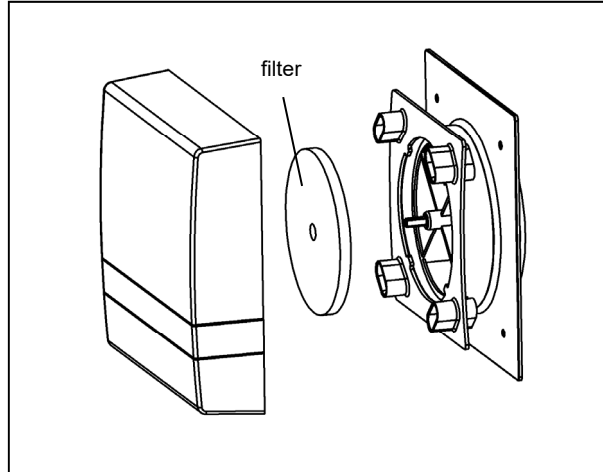
 Before connecting the ventilation unit to the mains voltage, make sure that all connecting cables are voltage-free! (Disconnect from the mains with at least 3 mm contact opening, e.g. electrical fuse).



Filter change

Check the filter for pollution every three months and replace it if necessary. Filters made of filter foam can be washed in a dishwasher. Pollen filters may only be cleaned by suction. After inserting the filter, engage the cover in the open position (see installation Fig. 5).

When using the sound insulation screen in combination with electrically operated units, the respective control unit usually has a filter change indicator which signals when the filter needs to be changed (see the respective installation instructions).




Please make a note here of the filter changes you have carried out:

Date of filter change	Expected filter change	Filter type used

Cleaning

If necessary, wipe the inner screen and cover frame using a dry soft cloth.

 Filter changing and cleaning must not be carried out by children or persons who are not capable of performing it safely due to their physical, sensory or mental abilities or their inexperience or lack of knowledge.

Additional parts and replacement parts

Long-life filter: Class G2 (for ALD) Type 9/FIB-2RL
 Long-life filter: Type 9/FIB-3RL
 Pollen filter: Type 9/FIB-PL

3-pack Order No.: 039 983
 3-pack Order No.: 039 984
 3-pack Order No.: 039 985



Germany
 LUNOS Lüftungstechnik
 GmbH für Raumluftsysteme
 Wilhelmstr. 31
 13593 Berlin

Phone: 0 30 / 36 20 01 - 0
 Fax: 0 30 / 36 20 01 - 89
 info@lunos.de
 www.lunos.de

E149 10.18