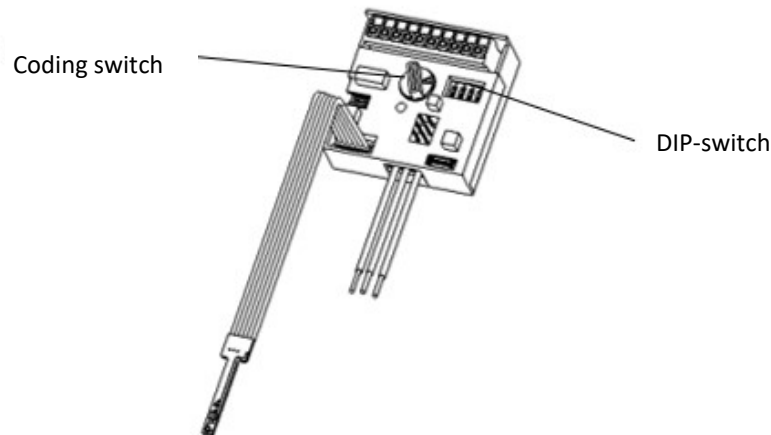


## Flow rate calibration of the 5/UNI-FT



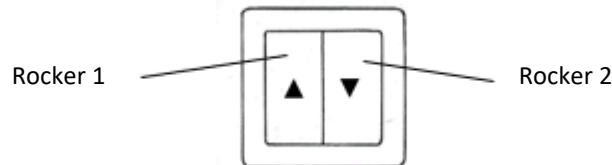
- 1) Coding switch on position F, DIP switches on position “++++”. After 10 seconds the 5/UNI-FT activates the programming mode. During the programming mode, the red LED lights up permanently.
- 2) Now change the position of the coding switch to the program, which has to be changed. (e.g. 3 or 4 for e<sup>2</sup> according table „coding switch positions“ of the installation manual universal control)
- 3) Afterwards change position of the DIP-Switches as follows, to calibrate a specific flow rate:

DIP-switch	Position	Function
1	+	Output S1
	-	Output S2
2	+	Supply air
	-	Exhaust air
3 and 4	--	Stage 0
	- +	Stage 1
	+ -	Stage 2
	++	Stage 3

Example: to calibrate supply air of stage 2 of output S2, change DIP-Switch positions “- + + -”

## Flow rate calibration of the 5/UNI-FT

- 4) Actuating rocker 1 leads to an increase in the volume flow, actuating rocker 2 to a reduction. Each actuation (button/switch) is confirmed by the green LED flashing once. (Increment per actuation approx. 0.01 V)



- 5) To adjust another stage, go back to point 3.
- 6) When all adjustments are done, change Coding Switch to position “F” again and the DIP-Switch on position “+000”. The red and the green LED are lighting up for 10 seconds. Afterwards, all changes will be written into the flash storage of the controller.
- 7) To abort the process, interrupt the supply voltage during the 10 seconds where the LEDs are lighting up.

The controller is now in normal operating mode again. Set the coding switch according to the connected device type, specify the desired functions using the DIP switch.

**Remarks:**

- Do not operate the button until the LED has confirmed it.
- The calibration data is only saved for one type of fan (e.g. e<sup>2</sup>). This means that if another type of fan is calibrated on the same 5/UNI-FT controller, the previously saved data will be lost or overwritten. Switching between programs of one fan type does not lead to a conflict (e.g. programs 3 and 4 for e<sup>2</sup>).
- With the RA 15-60 exhaust air fan, only the exhaust air can be calibrated. For supply air operation, the fan is rotated in the pipe. Please refer to the installation instructions E147 of the device for this.

Your team from LUNOS